

LULU Concealed two-way diverter - Chrome

LULU

36 200 710



- rotary diverter
- rosette 60 x 78 mm



Chrome

36 200 710-00



Brushed Platinum

36 200 710-06

Required miscellaneous

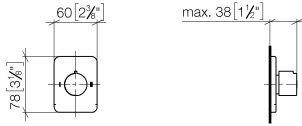


Concealed two-way diverter - 35 202 970 90

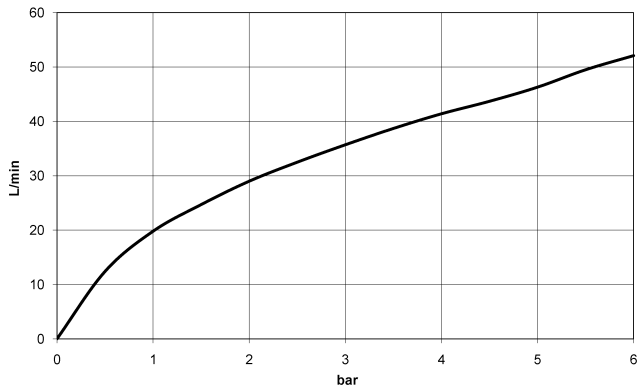
- max. recess depth 155 mm
- min. recess depth 85 mm

36 200 710

mm [inches]



Flow rate chart

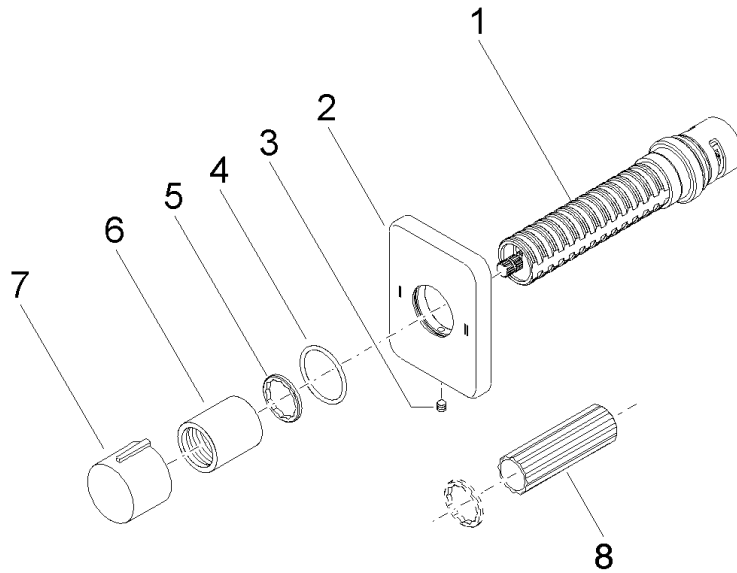


Certificates

LGA_38379.

WRAS_2307045.

36 200 710



Spare parts list

No.	Item Number	Name	Quantity used	Delivery time
1	90 90 03 304 10 90	diverter	1	2
2	09 27 71 114-00	rosette	1	60
3	90 31 11 007 00 90	pin	1	2
4	90 14 10 063 00 90	seal	1	2
5	09 16 01 025 90	ring	1	2
6	09 21 02 070-00	cover	1	10
7	09 20 97 030-00	handle	1	10
8	90 30 09 010 00 90	key	1	2